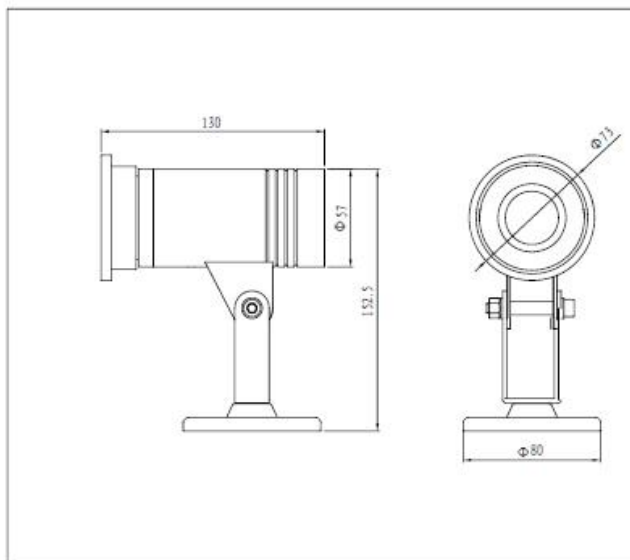
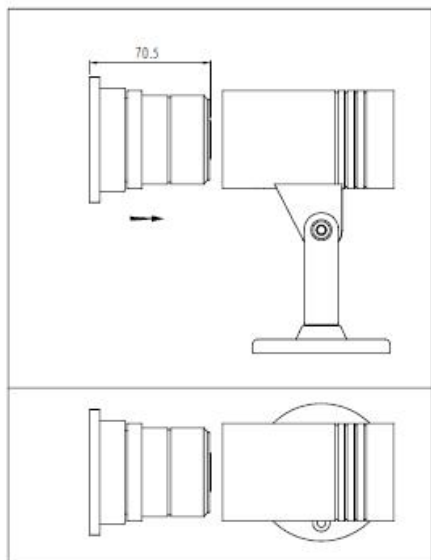


LED Spot Light



Aclimex-LED
Business & Market Development

IP68



Specifications

LED Brand	CREE SEOUL
Ambient Humidity	10%~90%
Ambient Temperature	-20°~50°
Driver	Induction
Housing Materials	Stainless steel
Mask	Stainless steel
Power Cord Specification	2*0.75mm ² silicone line



Iten No.	Light sourth	Color temperature	Degree (°)	Rated Power (W)	Luminous flux (lm)	Input voltage (V)	Frequency (Hz)
GS03	1*3W	3000K/6000K /RGB	15° 40°	3W	70/85/ / (1m)	DC 24V AC 200~240V	50~60 (Hz)

GS03 – 3W – 220V – Bleu



Aclimex-LED
Business & Market Development

